

Weyn-Lauwers N.V.

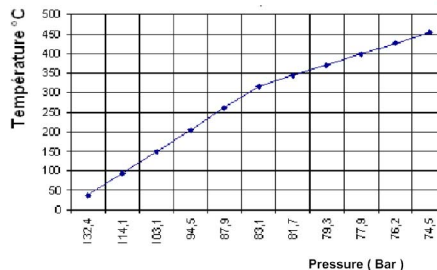
Industriepark-Noord 12
B - 9100 SINT-NIKLAAS

Tel. : 00 32 (0)3 776.34.13
Fax : 00 32 (0)3 778.09.52
weynlauwers@weynlauwers.be
www.weynlauwers.be

FORGED GATE VALVE
NPT - 800LBS
stainless steel
FIG 327

DESIGN FEATURES

- forged gate valve 3/8"-2"
- **threaded NPT**
- min. temp : -30°C
- max. temp : +440°C
- specifications : rising stem
bolted bonnet
gland pack
reduced bore

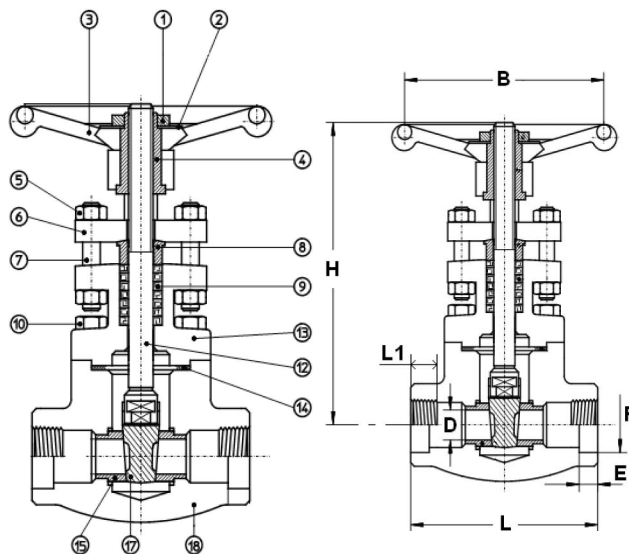


USE

- for all common fluids max. press. 138 bar

MATERIALS

item	Part name	Material
1	wheel nut	carbon steel
2	name plate	aluminium
3	handwheel	carbon steel
4	Yoke nut	ASTM A582 type 303
5	Gland nut	ASTM A194 GR.8
6	Gland flange	ASTM A182 F304
7	Gland stud	ASTM A193 B8
8	Gland	ASTM A479 type 304
9	packing	graphite
10	bolts	ASTM A193 B8
12	stem	ASTM A479 type 316
13	bonnet	ASTM A182 F316
14	gasket	SS316+graphite spiral w.
15	seat	ASTM A479 type 316
17	wedge	ASTM A182 F316
18	body	ASTM A182 F316



SIZE (in mm)

DN	3/8"	1/2"	3/4"	1"	1 1/4"	1 1/2"	2"			
D	9,6	9,6	14	18	24	30	36,5			
L	80	80	90	110	127	127	127			
H open	148	148	163	178	210	243	262			
B	90	90	90	110	110	130	130			
L1	13	15	18	19	20	21	21			
Kv m3h	3,7	4,8	10,4	23,4	47,6	69,2	90,8			
kg	1,84	1,84	2,06	3,35	4,9	6,5	8,8			
ref.	327.03	327.04	327.05	327.06	327.07	327.08	327.09			